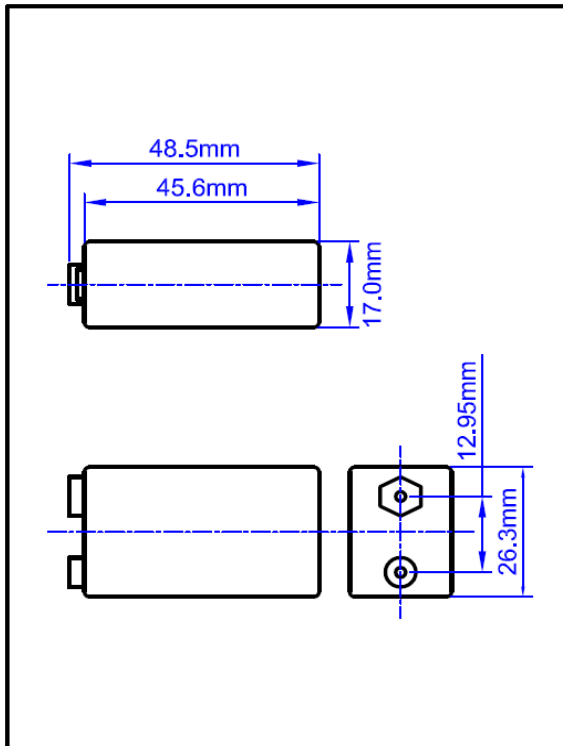


Huiderui Lithium

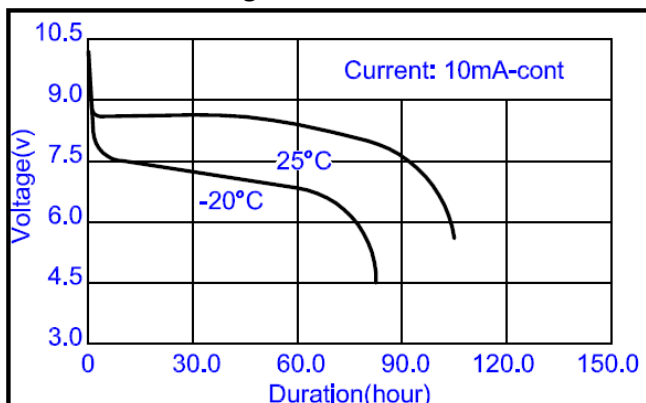
Cell Type CP9V (SUS)

Specifiation

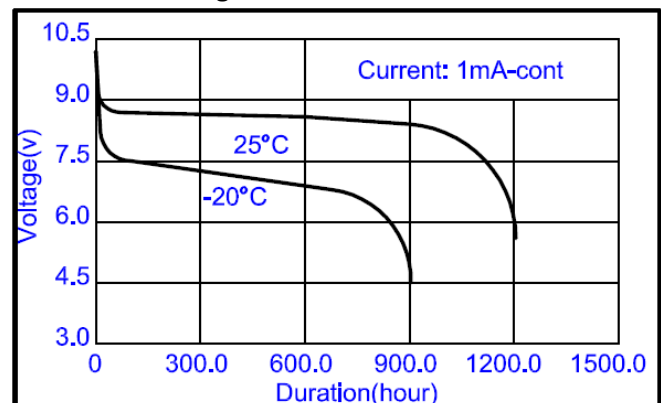


Nominal Voltage		9.0V
Dimensions (Max.)	Length	26.3mm
	Width	17.0mm
	Height	48.5mm
Ref. Weight		41.0g
Nominal Capacity (Ave.)		1200mAh
Continuous Standard Load		1mA
Cut off Voltage		5.4V
Maximum Continuous Discharge Current		600mA
Maximum Pulse Discharge Current		1000mA
Operating Temperature		-40~60°C

Discharge Characteristics



Discharge Characteristics



* Please consult Huiderui for use below and above -20°C to +60°C.

WARNING:

- Do not charge, disassemble, heat above 100°C or incinerate.
- Do not mix fresh batteries and used batteries or other types of battery together.
- Do not short circuit.

This information is generally descriptive only and is not intended to make or imply any representation, guarantee or warranty with respect to any cells and batteries. Cell and battery designs/specifications are subject to modification without notice. Contact Huiderui for the latest information.